



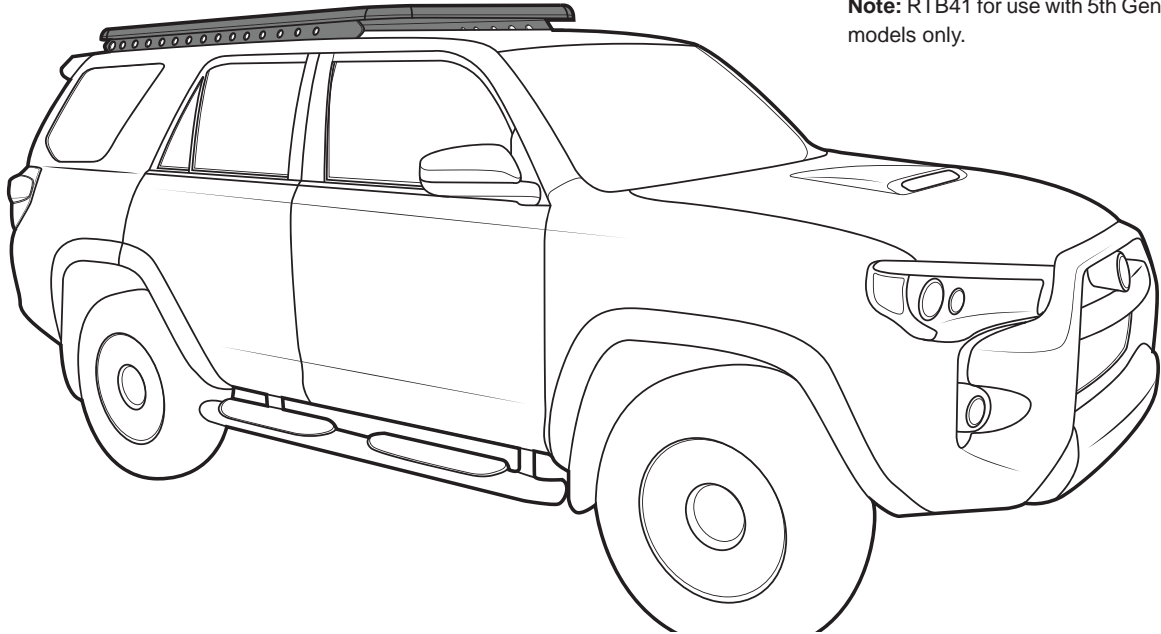
**CONTROLLED**

# RHINO-RACK

## Toyota 4Runner Backbone RT4B1

**Important:** Please read these instructions carefully prior to installation. Please refer to your fitting instruction to ensure that the Backbone System is installed in the correct location. Check the contents of kit before commencing fitment and report any discrepancies. Place these instructions in the vehicle's glove box after installation is complete.

### Layout



**Note:** RTB41 for use with 5th Gen 4Runner models only.

**Part Required: 41102B, 42102B or 45102B (as separate)**

**Maximum load carrying capacity: 100kg / 220lbs.**

### Important Information

1.  Check Part No./Kit is correct                      3.  Fit roof rack accessory
2.  Read through instruction before installing    4.  Check and recheck all fasteners are secure

**Maximum carrying capacity:** 100kg (220lbs) including the weight of the rack system up to 25kg/55lbs (dependant on Platform size). Please refer to your vehicle manufacturers handbook for maximum carrying capacity. Always use the lower of the two figures. Load must be evenly distributed over the entire basket. **Static Load Rating: 360kg/ 793lbs**

**Warning:** Do not attempt to fit the rack system to your vehicle unless you fully understand these fitting instructions. Please direct any questions regarding fitting to the dealer from where the roof racks were purchased.

**Use only non-stretch fastening ropes or straps.**

**Recommendations:** It is essential that all bolt connections be checked after driving a short distance when you first install your roof racks. Bolt connections should be checked again at regular intervals (once a week is enough, depending on road conditions, usage, loads and distances travelled). You should also check the roof racks each time they are re-fitted. Always make sure to fasten your load securely. Please also ensure that all loads are evenly distributed and that the centre of gravity is kept as low as possible and must be entirely contained within the extents of the roof racks.

**Rack System must be removed when putting vehicle through an automatic car wash.**

**Caution:** The handling characteristics of the vehicle changes when you transport a load on the roof. For safety reasons we recommend you exercise extreme care when transporting wind-resistant loads. Special consideration must be taken into account when cornering and braking.

#### Off-road use:

The Backbone Rack System may be used in off road applications, however a safety factor of 1.5 is enforced. That is, maximum permissible off road load is **66kg (145lbs)**. Although the crossbars are tested and approved to AS1235-2000/ 15011154, off-road conditions can be much more rigorous. Extreme care must be taken in off road conditions

#### Note for Dealers and Fitters:

It is your responsibility to ensure these fitting instructions are given to the end user or client.

Rhino-Rack 3 Pike Street, Rydalmere,

NSW 2116, Australia.

(Ph) (02) 9638 4744

(Fax) (02) 9638 4822

Document No: R1261

Prepared By: Kayle Everett

Authorised By: Chris Murty

Fit Time: 1 Hours

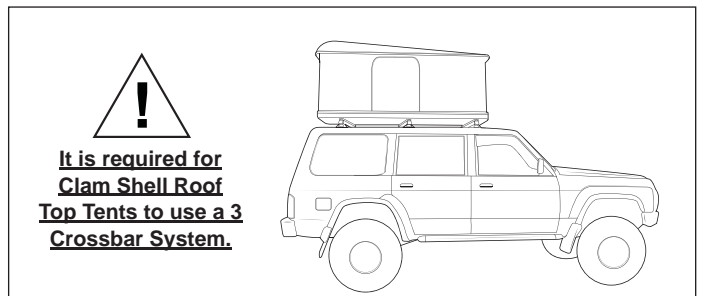
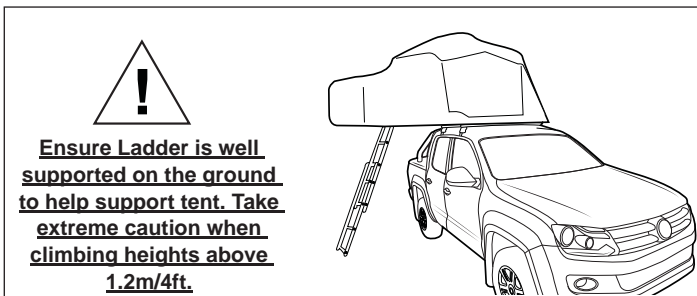
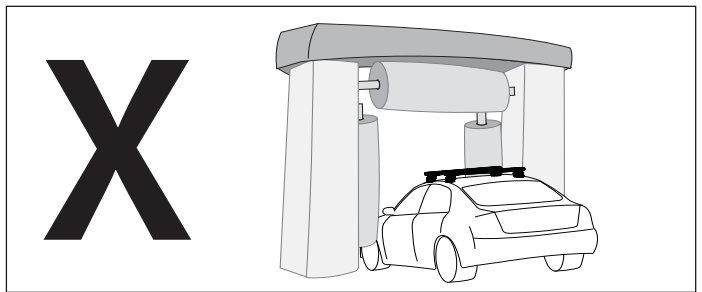
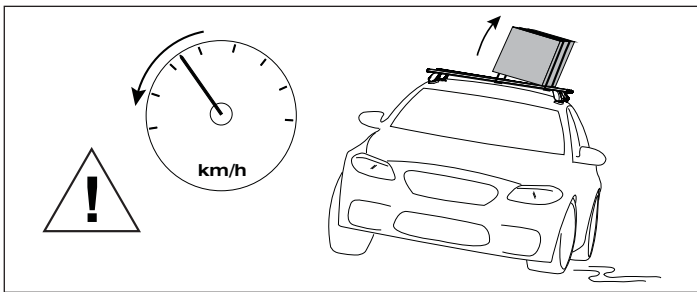
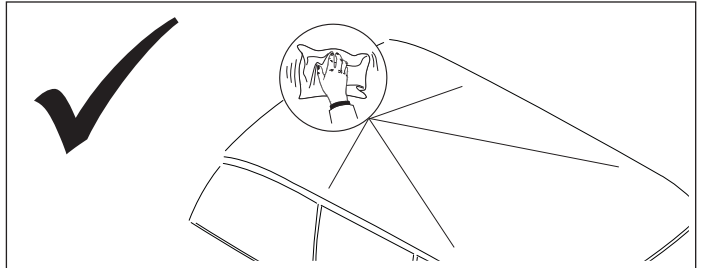
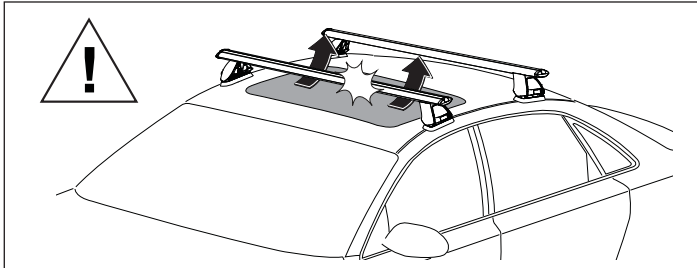
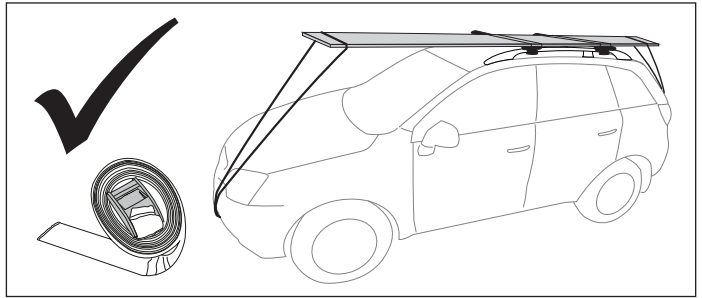
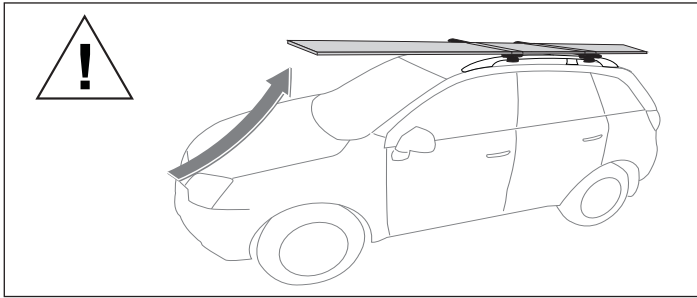
Issue No: 02

Issue Date: 01/06/2017

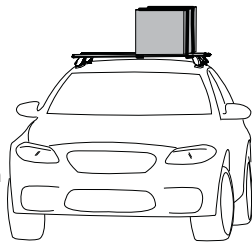
These instructions remain the property of Rhino-Rack Australia Pty. Ltd. and may not be used or changed for any other purpose than intended.



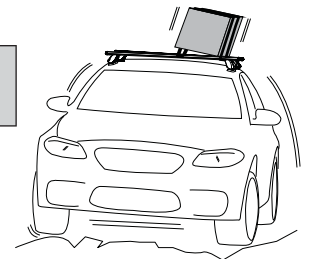
# Toyota 4Runner Backbone RT4B1



When these roof racks are to be used on a vehicle that is driven off sealed roads, the manufacturer maximum roof load rating (to be found in the vehicles User Manual) should be **divided by 1.5**. Do not forget to subtract the complete crossbar system weight from your maximum carrying capacity.



$$100\text{kg}/220\text{lbs (Urban Road)} = 66\text{kg}/145\text{lbs (Off Road)}$$



**WARNING! Important Load Carrying Instructions**  
 With utility vehicles, the cabin and the canopy move independently. Roof racks and vehicle can be damaged if the item transported is rigidly fixed at points on both the cabin and canopy. Instead, rigidly fix to either the cabin roof racks or the canopy roof racks.

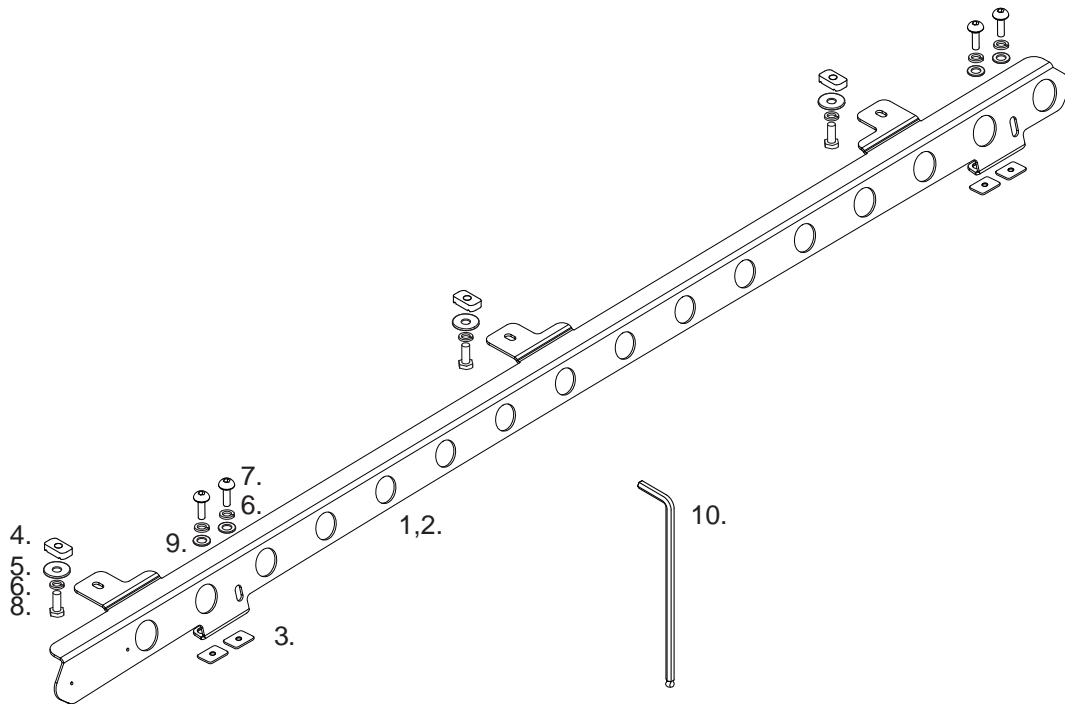
Paddle/ Surfboards should be fixed to the front of the vehicle.

**YES**



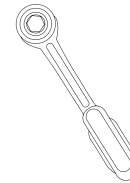
# Toyota 4Runner Backbone RT4B1

## Parts List



Item	RTB41 Kit	Qty	Part No.
1	4Runner LH Backbone	1	CA1663
2	4Runner RH Backbone	1	CA1664
3	Butyl Patch 40mm x 25mm	8	CA1260
4	M8 Channel Nut	6	N003
5	M8x24x2 Flat Washer	6	W043
6	M8 Spring Washer	14	W019
7	M8x25 Dome Screw	8	B140
8	M8x 25 Hex Head Screw	6	B169
9	M8 x 16mm Flat Washer	8	W020
10	125mm Ball End Allen Key 5mm	1	-
11	Instructions		R1261

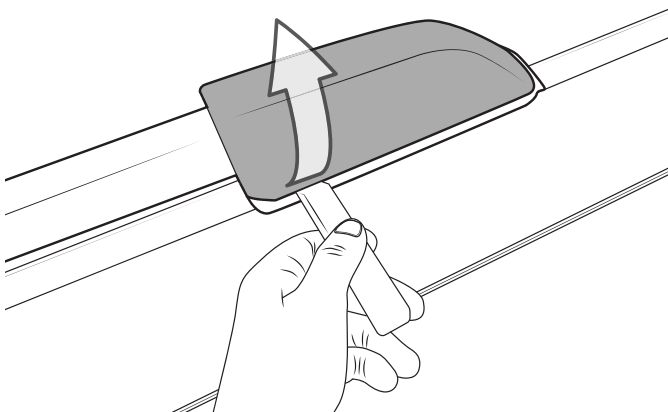
### Tools Required:



1. Socket Set

## Instructions

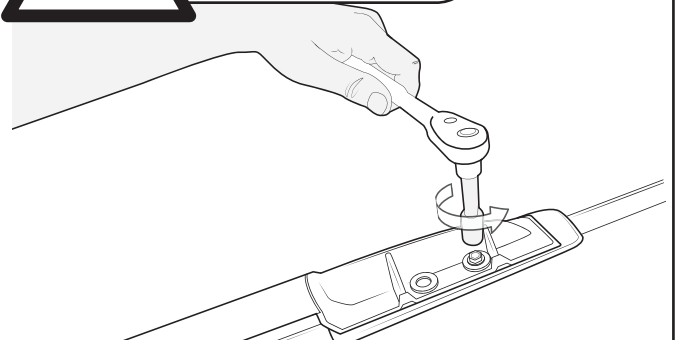
- 1** With a nylon scrape or similar, carefully pry the factory rail Cover off from the outside of the vehicle.



- 2** Remove M8 Bolts from either end of the factory rail.



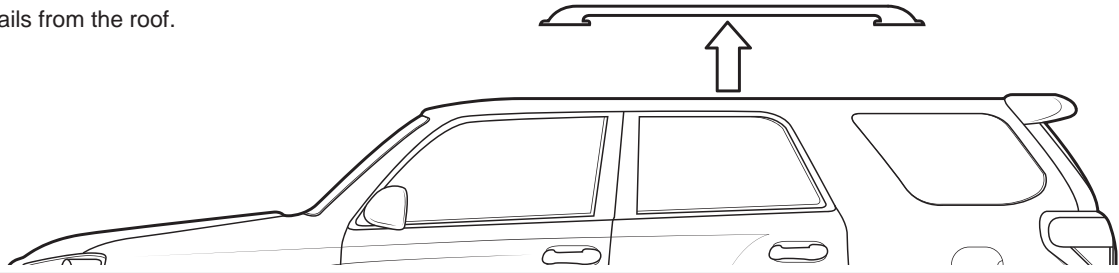
When loosening bolts, loosen bolts progressively together. Failure to do so can dislodge nutplate within roof cavity



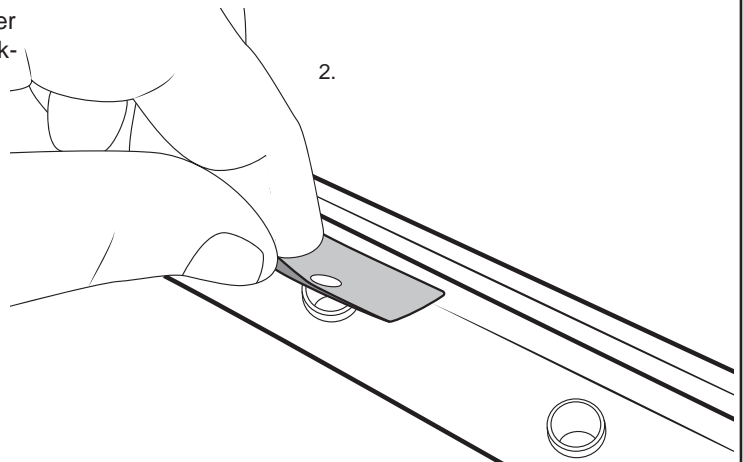
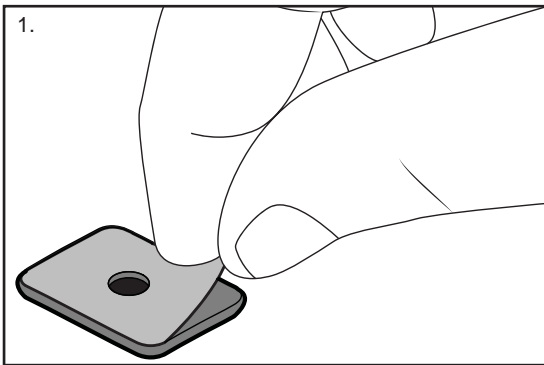


# Toyota 4Runner Backbone RT4B1

**3** Remove the rails from the roof.

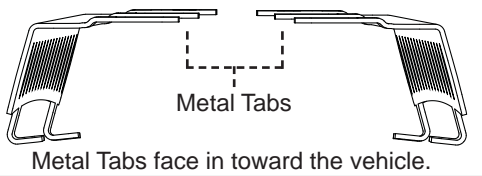


**4** Peel off the one side of backing tape on the 40mm x 25mm butyl patches provided. Place these carefully over all threaded mount points. Remove the top layer of backing tape as shown.

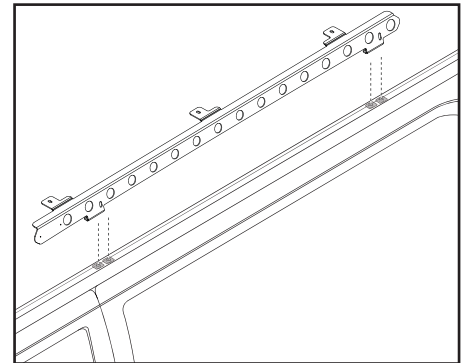
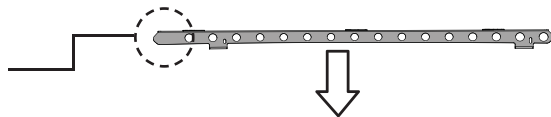


**5** Place the backbone onto the roof of the vehicle. Line up the mounting points of the bracket to the those exposed on the roof in the previous steps.

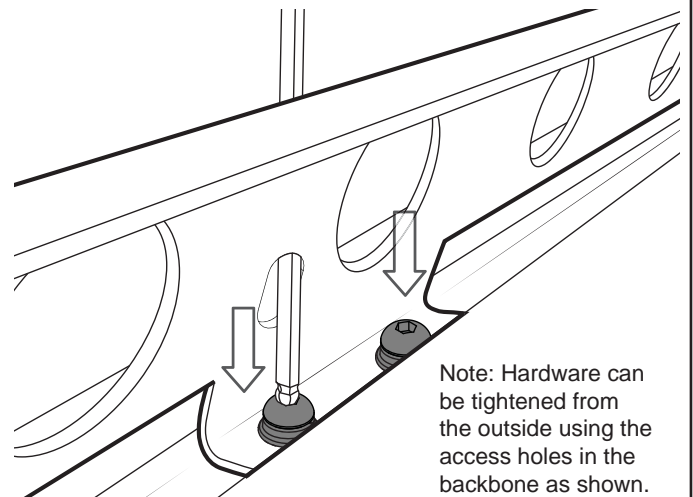
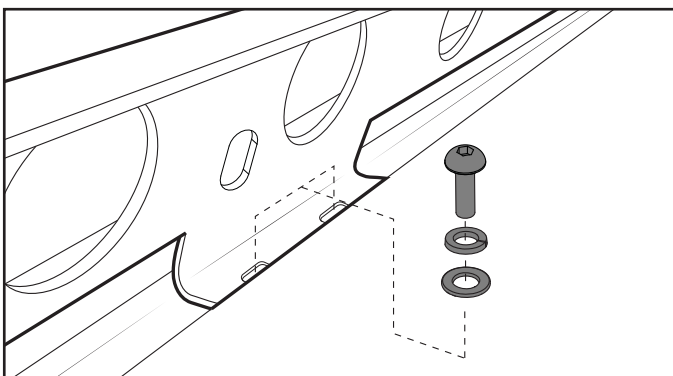
Front View:



Logo position is at the front on each side.



**6** Using the M8 dome screws, M8 spring and flat 16mm washers, place the hardware into mounting holes of rails. Make sure hardware and holes align with roof mounts before proceeding.

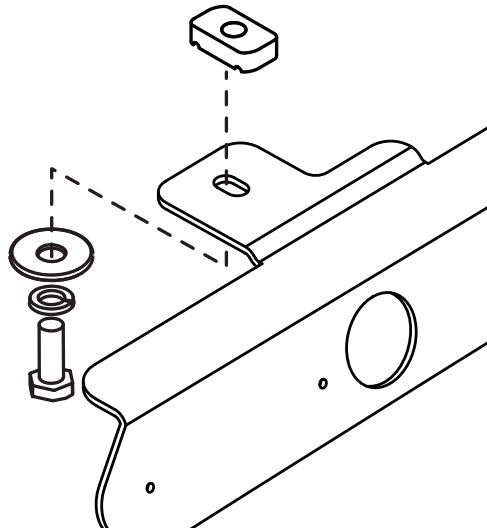


Note: Hardware can be tightened from the outside using the access holes in the backbone as shown.

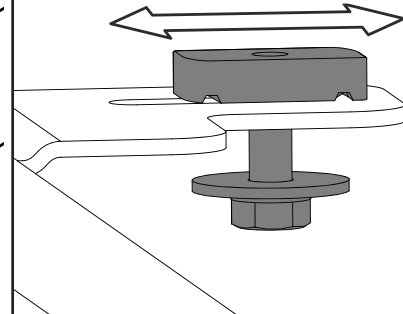


# Toyota 4Runner Backbone RT4B1


**7** Assemble M8 hardware as pictured below. Complete this for the four tabs on top of the backbone rails (two each rail).



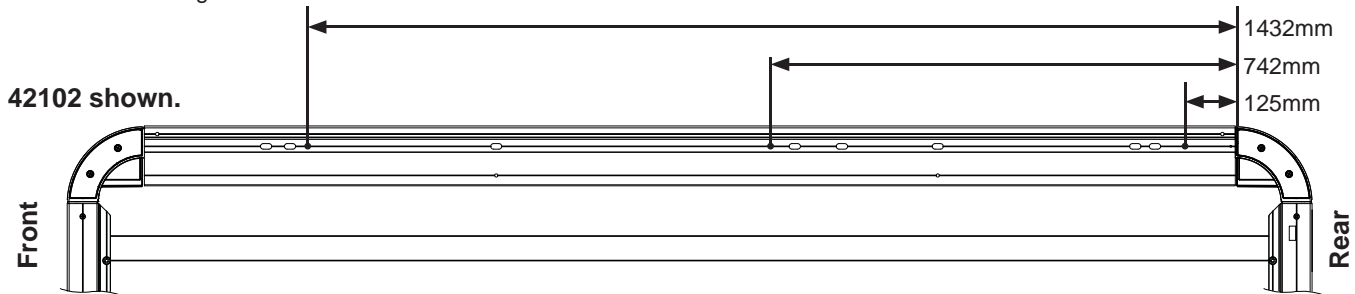
**Note:** For easy Pioneer installation. Align as shown



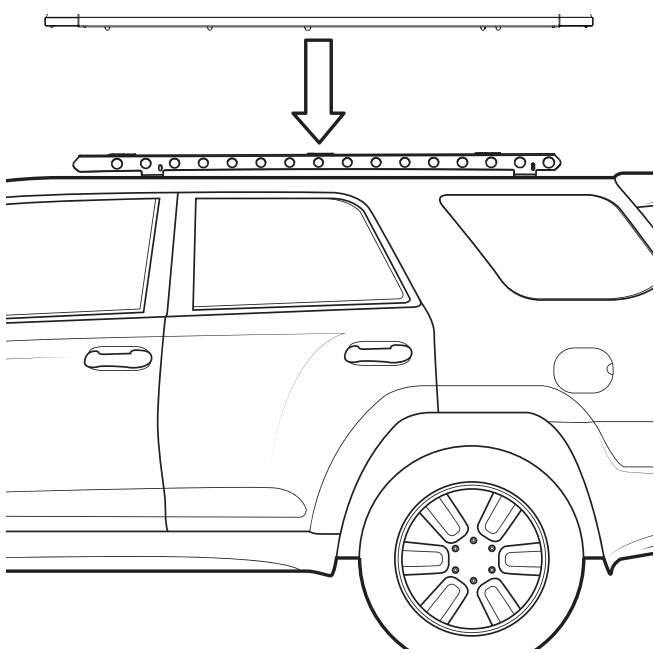
**8** Install Pioneer underbars with slots indicated (42102B, 41102B or 45102B).  
**REAR:** 125mm from Rear (drill)  
**MIDDLE:** 742mm from Rear (drill)  
**FRONT:** 1432mm from Rear (drill)  
 The rear slot will have to be drilled with an 8.5mm drill bit. For detailed underbar installation instructions, refer to Pioneer fitting instructions.

 If rear overhanging accessories are to be fitted, drill and fit underbars at the following locations.

<b>REAR:</b>	55mm from Rear (drill)
<b>MIDDLE:</b>	672mm from Rear (drill)
<b>FRONT:</b>	1362mm from Rear (drill)



**9** After underbars have been correctly fitted, place the Pioneer tray on top of the Backbone. Align the underbars with the top tabs and ensure the M8 hardware fits into underbar channel.



**10** Once Pioneer underbars have been aligned properly, tighten all M8 hardware using 13mm (1/2") socket wrench or 13mm (1/2") spanner. Ensure channel nut has rotated within Pioneer underbar and is fixing Pioneer securely.

