



SDHQ Offroad Racing
 1720 W Elliot Rd
 Gilbert, AZ 85233
 Phone: 480-633-2929 | Toll Free: 877-969-2929 | Fax: 480-633-1791

INSTALLATION INSTRUCTIONS

Product: *SDHQ-50-1206-U1*

Description: Toyota Multi-Platform A-Pillar Light Mounts

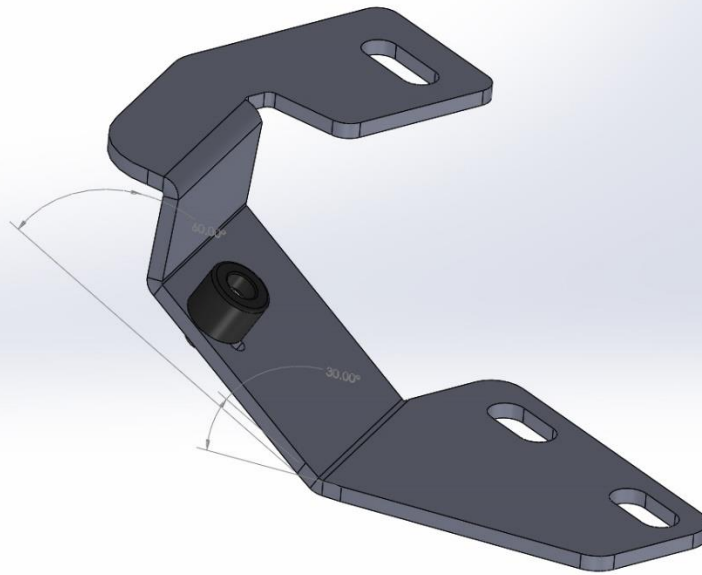


<u>Parts List</u>	<u>Hardware List</u>	<u>Required Tools</u>
(1) – Driver Side Mount SDHQ-50-1206-U1-A	(2) - 3/4" Diameter Rubber Dampeners	3/8" Ratchet 12mm Socket 3/8" Wrench Masking Tape Loctite
(1) – Passenger Side Mount SDHQ-50-1206-U1-B	(2) - Fir-Tree Push in clips	

Tech Notes

- 2005-2015 **Tacoma** (slide bracket all the way back in the slot, towards the windshield)
- 2006-2009 **4-Runner** (Bolt holes use the outer edges of the slots)
- 2010+ **4-Runner** (slide bracket all the way forward in the slot, away from the windshield)
- 2007-2013 **Tundra** (slide bracket all the way forward in the slot, away from the windshield)
- ***Special Notes: Windshield Wipers CANNOT be operated with Hood open.**

For questions or help with the installation, please call SDHQ Offroad @ 480-633-2929
 Mon.–Fri. 8:00am–5:30pm and Sat. 8:00am–3:30pm Arizona Time. www.sdhqoffroad.com

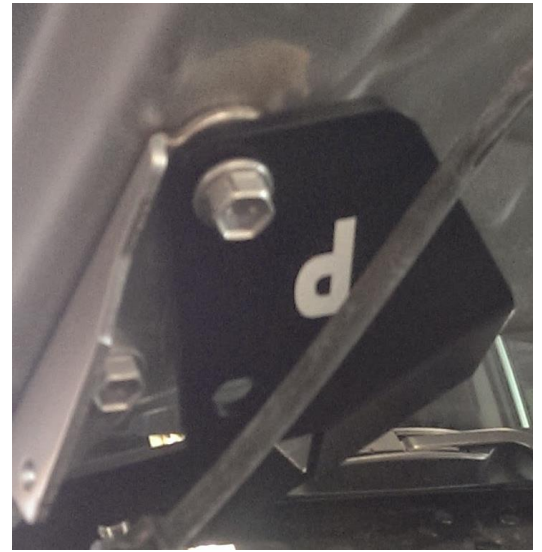


Driver Side Shown

***READ ALL INSTRUCTIONS THOROUGHLY FROM START TO FINISH BEFORE BEGINNING INSTALLATION! ***

Installation Instructions:

1. Open the hood on your vehicle. Using masking tape, tape off the area that you will be working to prevent any scratches during install.
2. Attach Rubber Dampener to mount using supplied push-in clip, the clip goes through the bottom of the mount and locates/holds the dampener in place. When installing mount, position bumper so that it is best utilized for vibration dampening. (Note: dampener will not work for 4-Runners)
3. Starting on the driver side with your ratchet and 12mm socket, remove the front bolt attaching the hood to the hinge. Next loosen but do not remove the rear bolt. Position your driver side bracket over the hood hinge aligning the front mounting hole while the rear of the mount is angled away allowing access to the rear bolt, insert the front bolt through the bracket and thread in a couple turns into the hood.
4. While supporting the hood remove the rear bolt, insert bolt through the rear hole of the mount and thread into the hood. Align the mount in the slots according to the guide on page 1 in the Tech Notes section. Tighten down bolts while aligning hinge with paint outline of previous location on hood.



5. Repeat steps 1-3 for passenger side.

6. Install and wire your lights, and enjoy!



Double check all hardware is installed correctly and tight

Re-torque ALL bolts after 100 miles



1720 W Elliot Rd. Gilbert, AZ 85233
Phone: 480-633-2929 | Toll Free: 877-969-2929 | Fax: 480-633-1791
www.sdhqoffroad.com

Follow us on:



Facebook



Instagram

For questions or help with the installation, please call SDHQ Offroad @ 480-633-2929
Mon.-Fri. 8:00am-5:30pm and Sat. 8:00am-3:30pm Arizona Time. www.sdhqoffroad.com