

GOBI 4TH GEN TOYOTA 4 RUNNER STEALTH ROOF RACK

INSTALLATION INSTRUCTIONS

Guidelines:

When using Load Carriers and Accessories, the user must understand the precautions. The points listed below will assist you in using the rack /carrier system and will encourage safety.

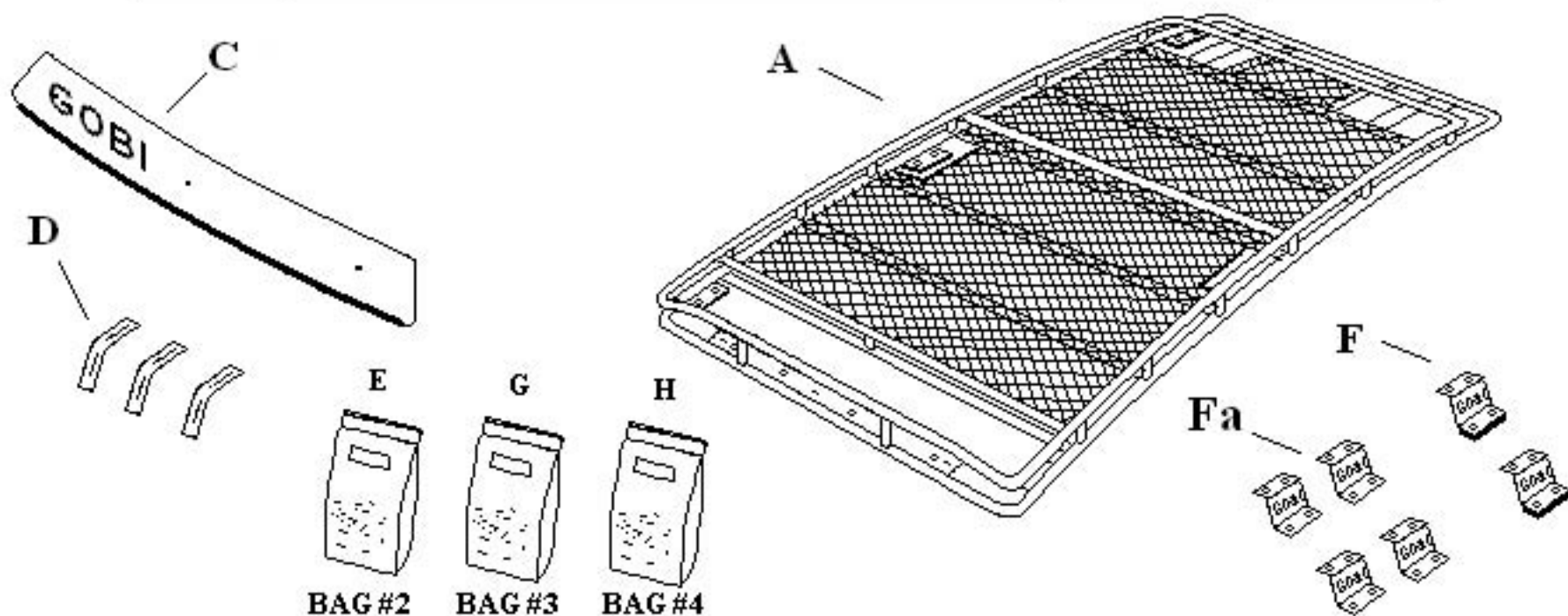
- For quality fits and safty, use only the recommended rack or accessory. Do not assume an accessory will fit, always check with dealer when obtaining new accessories. Use only approved accessories on load carriers. Using other brands will void your warrenty.
- Make sure all knobs, bolts, screws, straps, and locks are firmly attached, tightened and locked before every trip. Knobs, bolts, screws, straps, and locks must be periodically inspected for signs of wear, corrosion, and fatigue. Check your load at stops during the trip to insure continued fastening security.
- Check local and state laws governing projection of objects beyound the width of a vehicle. **Be aware of the width and height of your cargo since low clearance branches, bridges, and parking garages can affect the load** All cargo will affect the vehicle's driving behavior. Never drive with any lock, know, or rack in an open or unlocked position. All long loads such as, but not limited to sailboards, surfboards, kayaks, canoes, and lumber must be tied down front and rear to the bumpers or tow hooks, of the vehicle.
- Remove your rack accessories when they are not in use, before intering car washes, prior to taking in your vehicle for service, and whenever clearance may be an issue.
- All locks must be turned and moved periodically to insure smooth operation. Use graphite or similar dry lubricant to help this. Locks are designed to deter vandalism and theft. Remove valuable gear if your vehicle is unattended for an extended period. Place at least one key in the glove compartment.
- For safety to your vehicle and rack system, obey all posted speed limits and traffic cautions. Adapt your speed to the conditions of the road and the load being carried.
- Do not use load carriers and accessories for purposes other than those for which they were designed. Do not exceed their carrying capacity.
- Consult with your dealer if you have any questions regarding the operations and limits of this product. Review all instructions carefully.

GOBI 4TH GEN TOYOTA 4 RUNNER STEALTH ROOF RACK

INSTALLATION INSTRUCTIONS

Included in kit

Letter	Description	Location	Quantity
A	GOBI TOYOTA 4 RUNNER FULL SIZE ROOF RACK	Main box	1
B	FAIRING RUBBER PROTECTIVE STRIP	pre-assembled	1
C	FAIRING	banded to rack	1
D	FAIRING BRACKETS (pre-assembled to fairing)	pre-assembled	3
E	FAIRING BRACKET HARDWARE CONTENTS: 3- 1/4-20 x 3/4" SS Button head screw 6- 1/4" black washer 3- 1/4-20 Nylock nut	BAG #2 Hardware Box	1
F	GOBI CENTER SUPPORT BRACKETS (with adjustable pre-attached H-2 spacers)	Hardware Box	2
Fa	GOBI FRONT AND REAR SUPPORT BARCKETS	Hardware Box	4
G	GOBI ROOF MOUNT BRACKET HARDWARE CONTENTS: 4- Cover plates black powder coated 8- 5/8" x 3/4" Nylon spacers 8- M8x50 Metric screws 8- 5/16" Stainless water proof washer 8- 5/16" Stainless Lock washer 1- M-5 Metric allen wrench	BAG #3 Hardware Box	1
H	GOBI RACK BRACKET HARDWARE CONTENTS: 12- 3/8" x 1" SS Hex Bolt 24- 3/8" SS Flat washers 12- 3/8" Nylock nut 6- Rubber pads black	BAG #4 Hardware Box	1



GOBI 4TH GEN TOYOTA 4 RUNNER STEALTH ROOF RACK

INSTALLATION INSTRUCTIONS

The rack must be inspected before each use to make certain attachments are secure, and for evidence of Wear. Misuse of the rack or failure to observe the manufacturer's instructions as to installation, proper Attachment and maintenance will void any warranties that may be implied by law.

INSTALLATION INSTRUCTIONS:

- 1- Refer to the hardware list on page 2 check and verify that all hardware is present prior to installation.
- 2- If your vehicle is equipped with an OEM/Original Equipment Roof rack remove it prior to installation by removing all 8 screws anchoring the roof rack to the vehicle roof top using a "T-40" Torx wrench.
- 3- After removing the OEM roof rack from your vehicle you may want to clean the roof top at this time. Refer to page 5 Fig. 2 and remove from (Plastic Bag 3) included in your kit 4 black cover plates "E" and 8 Nylon spacers "D". Place Nylon spacers "D" over each plastic insert "C" on your vehicle as shown on page 5 Fig. 2 then place over the top of the Nylon spacers black cover plate "E". Continue by placing support bracket "8 Fa" as shown on page 5 Fig. 1 and Fig. 2 over the black cover plate "E", then thread metric screws #9 found in (plastic Bag 3) as shown on page 5 Fig. 1 and Fig. 2 through Support bracket "8 Fa" then through cover plate "E" through Nylon spacers "D" and finally into vehicle roof top threaded inserts "C". Finger tighten only at this time. Continue the same procedure to all remaining 3 roof top anchoring points, 4 OEM roof rack anchoring points in total.
- 4- Install the Gobi roof rack #11 onto the 4 support brackets "8 Fa" as shown on page 6 Fig. 4 at this time. Continue by carefully placing rubber pad #10 included in your kit (Plastic Bag 4) as shown in Fig. 1 page 5 between the welded in flange #11a and support bracket "8 Fa". Secure the Gobi rack to the 4 "8 Fa" support brackets using the Stainless Steel 3/8" bolts, washers, lock washers and lock nuts found in (Plastic Bag 4) as shown in Fig. 1 page 5 #12. Finger tighten all bolts only at this time.
- 5- Locate center support brackets "8F" from your kit and loosen the two 5/16" button head screws #15 as shown on page 5 Fig. 3 using a 3/16" Allen wrench at this time. Install the center Gobi support bracket "8F" as shown on page 5 Fig. 3 by tilting the bracket under the Gobi roof rack and under the Center Gobi welded in flange 11a. Position the adjustable foot #14 onto the rubber strip #16 of the vehicle. Place rubber pad #10 between the welded in flange 11a of the roof rack and the support bracket "8F" as shown on page 5 Fig.3. Install bolts #12 washers, lock washers and lock nuts found in (Plastic Bag 4) of your kit and secure the center support bracket "8F" to the center welded in flange 11a as shown on page 5 Fig. 1. Finger tighten only at this time. Position the adjustable foot #14 to the center of the rubber strip of the vehicle.

GOBI 4TH GEN TOYOTA 4 RUNNER STEALTH ROOF RACK

INSTALLATION INSTRUCTIONS

The rack must be inspected before each use to make certain attachments are secure, and for evidence of Wear. Misuse of the rack or failure to observe the manufacturer's instructions as to installation, proper Attachment and maintenance will void any warranties that may be implied by law.

INSTALLATION INSTRUCTIONS CONTINUED:

- 6- Fully secure all 4 "8Fa" support brackets to the vehicle roof top as shown on page 5 Fig. 2 by fully tightening the #9 metric screws using the M5 metric Allen wrench located in (Plastic Bag 3) of your kit.
- 7- Refer to page 5 Fig. 1 and fully secure the Gobi roof rack #11 to the 4 support brackets "8Fa" by tightening all remaining #12 bolts, washers, lock washers and lock nuts. Continue by securing the 2 center support brackets "8F" in the same manner while making sure that center brackets "8F" are in line with the roof rack as shown on page 6 Fig. 5 "H". At this time the center support brackets "8F" should be pressing against the rubber strip #16 of your vehicle, adjust the support feet #14 as shown on page 5 Fig. 3 to be approximately in the center of the rubber strip #16 and tighten the two 5/16" button head Allen screws fully, using a 3/16" Allen wrench supplied in your kit.
- 8- Refer to page 6 Fig. 4 the #2 fairing comes pre-assembled with fairing brackets #4 attached. The position of each attached fairing bracket may not be fixed at the proper height for your particular roof line. Adjustments may need to be performed in order for the fairing to form correctly to your vehicle's roof line. Begin by attaching the fairing's center bracket to the middle slot #5a of the Gobi roof rack light bar #5 shown on page 6 Fig. 4, use the 1/4" screws, washers and lock nuts supplied in (Plastic Bag 2). Provide approximately a 1-1/2" to 2" gap between the fairing and the Gobi rack outer tube as shown on page 6 Fig. 6a, tighten down the center nut and screw at this time. Proceed to either the right or left hand side and pull the fairing in the direction of the arrows on page 6 Fig. 5 letters "F" and "G" while pushing down on the fairing towards the roof top at the same time. Pull each side until the fairing either makes contact with the Gobi roof rack or comes in close proximity. Align fairing brackets #4 to the Gobi light bar fairing slots at the ends of the Gobi light bar #5 and insert the 1/4" screw and washer through the fairing bracket #4 then through the Gobi light bar slot and secure the fairing in place with the 1/4" washer and lock nut. Proceed to the opposite side and continue attaching the fairing in the same manner. Be sure that the fairing through out its length is making contact with the roof top as snug as possible, fairing brackets may need to be adjusted either up or down and in some cases you may bend the fairing bracket to accommodate the final result. If a slight gap should appear between the vehicle roof and the bottom center of the fairing loosen the center fairing bracket and allow the bracket to relax and the center of the fairing with make contact with the roof line. Once the fairing is in the proper position tighten all fairing brackets screws firmly. Roof rack installation is complete.

GOBI 4TH GEN TOYOTA 4 RUNNER STEALTH ROOF RACK INSTALLATION INSTRUCTIONS

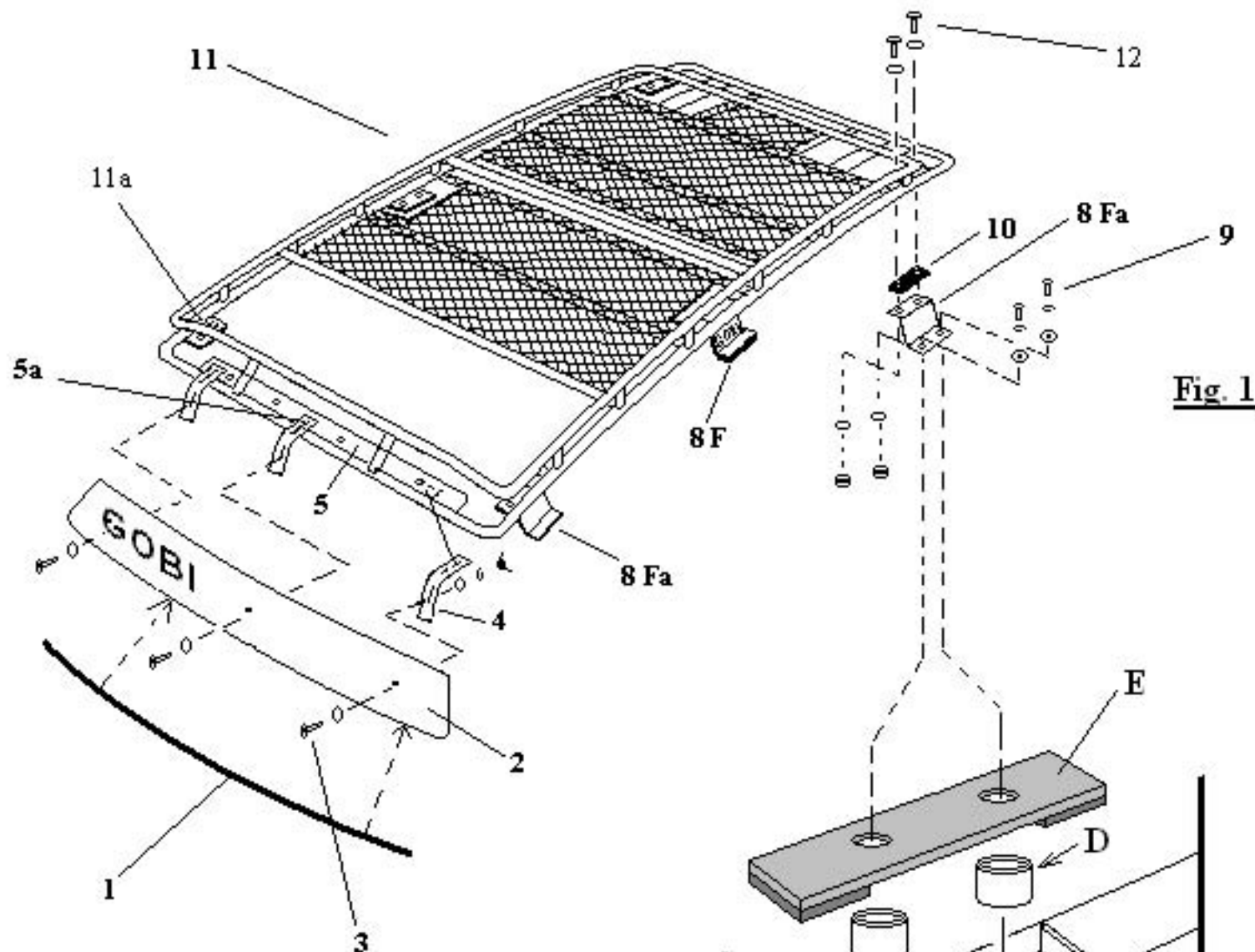


Fig. 1

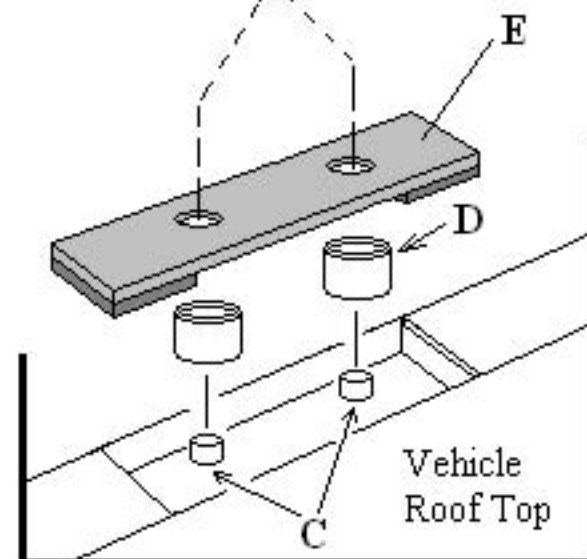


Fig. 2

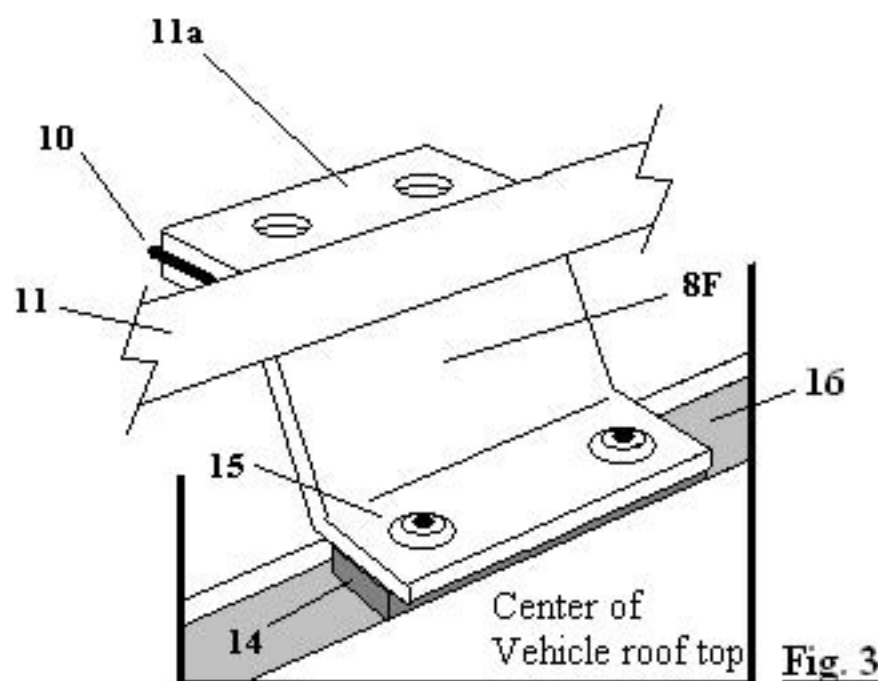


Fig. 3

GOBI 4TH GEN TOYOTA 4 RUNNER STEALTH ROOF RACK INSTALLATION INSTRUCTIONS

