

# BAJARACK WARRANTY



This Limited Warranty covers BajaRack products and all accessories for a period of 2 years from the date of purchase to the original owner of the product and does not apply once the equipment is sold or transferred to another person.

This Warranty does not cover the cost of removal of reinstallation or the product. BajaRack warrants (subject to conditions listed in this warranty) all products to be free of manufacturing defects in materials and workmanship.

## Warranty claim requirements

The claim has to be submitted during the warranty period at the place of purchase or directly at our corporate office located:



**BajaRack Adventure Equipment**  
2275 Michael Faraday Drive, Suite 6  
San Diego, CA 92154 USA  
Phone Number: 760-621-0171

On your product you will find a label with a serial number. If you remove this label, please save the serial number in a safe place. You will need it if you want to make a warranty claim in the future. Any cost incurred to transport the defective product "to and from" will be the customer's responsibility.



## Warranty resolution

Subject to BajaRack inspection of the product, the company will remedy defects in materials and/or workmanship by repairing or replacing, at BajaRack's option, the defective product without charge for parts or labor, subject to the limitations and exclusions described in this warranty. BajaRack may elect, at its option, not to repair or replace a defective product, in which case BajaRack will issue to the original retail purchaser, at BajaRack's option, either a full refund equal to the purchase price paid for the product, or a credit to be used toward the purchase of new BajaRack products or accessories.

## Limitations of Liability

BajaRack is not liable for damage caused by shipping or transport of BajaRack products. It is the responsibility of the original retail purchaser to inspect all products prior to acceptance and to notify the shipping carrier in a timely manner so that any claim for damages can be made. If timely notification to the shipping carrier by the original retail purchaser is not made regarding damage caused during the transport of the product, a claim for damages may not be possible, and all liability falls to the original retail purchaser. This warranty does not apply if accident, abuse, misuse, collision, overloading, modification, misapplication, improper installation, or improper service has damaged the Product.

BAJARACK SHALL NOT BE LIABLE FOR ANY DIRECT, INDIRECT, CONSEQUENTIAL, INCIDENTAL, SPECIAL, EXEMPLARY, OR PUNITIVE DAMAGES OR FOR ANY OTHER DAMAGES OF ANY KIND OR NATURE [NO PERIOD.] (INCLUDING, BUT NOT LIMITED TO, LOST PROFITS, DOWN TIME OR LOSS OF USE) UNDER ANY LEGAL THEORY, EVEN IF BAJARACK WAS ADVISED OF THE POSSIBILITY OF SUCH DAMAGES. BAJARACK'S SOLE LIABILITY IS LIMITED TO THE REMEDY SET FORTH ABOVE.

BajaRack reserves the right to change Product design without notice.



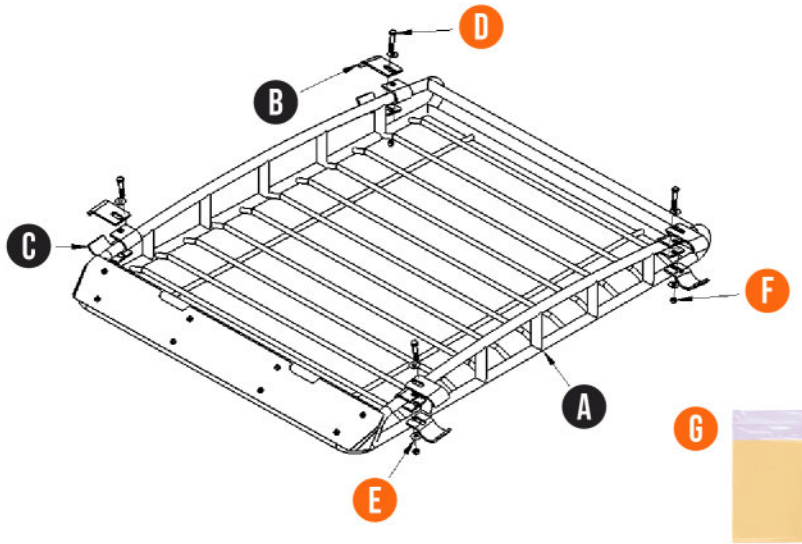
## TOYOTA 4 RUNNER G5

(2019-2020)

OEM BASKET RACK



## RACK COMPONENTS



A) Rack	(1x)
B) Top Clamp	(4x)
C) Bottom Clamp	(4x)

### What's in the box

D) 3/8" -16 x 2-1/2" Hex Cap Screw Stainless Steel	(4x)
E) 3/8" X 1" OD Flat Washer Stainless Steel	(8x)
F) 3/8"- 16 Nylon Insert Lock Nut Stainless Steel	(4x)
G) Grease, for use with all bolts with lock nuts	(1x)

### Recommended Tools

- 9/16" wrench or ratchet tool
- 9/16" torquemeter

### Tips and recommendations (please read)

- Please Install your rack with the help of a friend.
- Your Rack is an accessory; it is not protection for rollovers

## INSTALLATION STEPS

- 1 Take out the contents of the box and place on a flat surface. With the help of friend ,place the rack on the roof of the car. Verify that the front of the rack is aligned to the front of the 4Runner factory rack. (Fig 1).

Fig. 1



- 2 Place the top clamps (B) over welded plates and place the bottom clamps (C) below welded plates. Start this step at the front. (Fig 2)

**Note:** See the figure A and figure B to identify the top and bottom clamps.

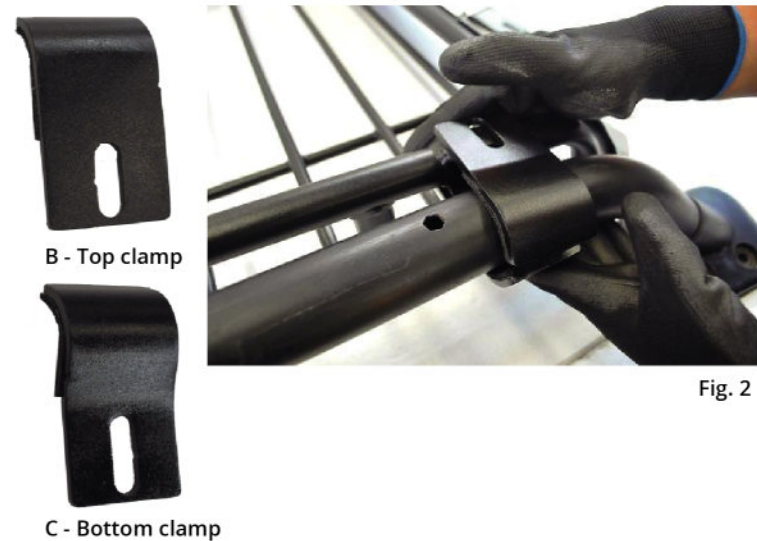


Fig. 2

## INSTALLATION STEPS

- 3 Insert bolt (D) and washer (E) through top clamp (B, welded plate, and bottom clamp (C). Below insert the washer (E) and nylon nut (F).



Note: hand tightens (not completely). Remember to add some grease (G).

- 4 Please repeat step 3 for each bolt/set of clamps.



- 5 Finally, use torquemeter to tighten to 65 inch lbs.



## INSTALLATION STEPS



**ENJOY**  
— YOUR NEW —  
**BAJARACK**  
ROOF RACK!



# TECHNICAL SPECIFICATIONS

## 4RUNNER G5

BR-TY4RG5-TRDOEM-0

OEM Basket Rack (fits factory rack)



This Rack comes as one piece and includes all mounting brackets, stainless steel hardware, and aluminum wind deflector.

**Material and Thickness:** 1" (25.4mm) and 1/2"(12.7mm) Steel tubing

**Top Wind Deflector:** .062" (1.57mm) 5050-H32 Aluminum

**Finish:** Epoxy primer (rust inhibitor) with black powder coating

**Rack weight:** 30 Lb (13.60Kg)

**Weight Capacity:** 200 Lb (90 Kg)

**Measurements:** 36"(914.4mm) front Width, 34.5"(876.3mm)

back Width x 48" (1219.2 mm) Long x 5" (127 mm) tall

**Cargo area:** 9.11ft<sup>2</sup> (0.85m<sup>2</sup>)

**Mounting method:** Set of Clamps (8 total), no drilling required.

# COMPATIBLE ACCESSORIES



Fuel Can Holder



Axe & Shovel mount for  
Toyota 4Runner G5 factory rack



Awming mount for  
Toyota 4Runner G5 factory rack



Hi-Lift mount for  
Toyota 4Runner G5 factory rack



Light Clamp mount



Maxtrax mount for  
Toyota 4Runner G5 factory rack



Tent Plates



Tire mount



Water Can Holder



Yakima & Thule Accessory  
mount (2 pieces)



Yakima & Thule Accessory  
mount (4 pieces)