

BAJARACK WARRANTY

This Limited Warranty covers BajaRack products and all accessories for a period of 2 years from the date of purchase to the original owner of the product and does not apply once the equipment is sold or transferred to another person.

This Warranty does not cover the cost of removal of reinstallation or the product. BajaRack warrants (subject to conditions listed in this warranty) all products to be free of manufacturing defects in materials and workmanship.

Warranty claim requirements

The claim has to be submitted during the warranty period at the place of purchase or directly at our corporate office located:



BajaRack Adventure Equipment
2275 Michael Faraday Drive, Suite 6
San Diego, CA 92154 USA
Phone Number: 760-621-0171

On your product you will find a label with a serial number. If you remove this label, please save the serial number in a safe place. You will need it if you want to make a warranty claim in the future. Any cost incurred to transport the defective product "to and from" will be the customer's responsibility.



Warranty resolution

Subject to BajaRack inspection of the product, the company will remedy defects in materials and/or workmanship by repairing or replacing, at BajaRack's option, the defective product without charge for parts or labor, subject to the limitations and exclusions described in this warranty. BajaRack may elect, at its option, not to repair or replace a defective product, in which case BajaRack will issue to the original retail purchaser, at BajaRack's option, either a full refund equal to the purchase price paid for the product, or a credit to be used toward the purchase of new BajaRack products or accessories.

Limitations of Liability

BajaRack is not liable for damage caused by shipping or transport of BajaRack products. It is the responsibility of the original retail purchaser to inspect all products prior to acceptance and to notify the shipping carrier in a timely manner so that any claim for damages can be made. If timely notification to the shipping carrier by the original retail purchaser is not made regarding damage caused during the transport of the product, a claim for damages may not be possible, and all liability falls to the original retail purchaser. This warranty does not apply if accident, abuse, misuse, collision, overloading, modification, misapplication, improper installation, or improper service has damaged the Product.

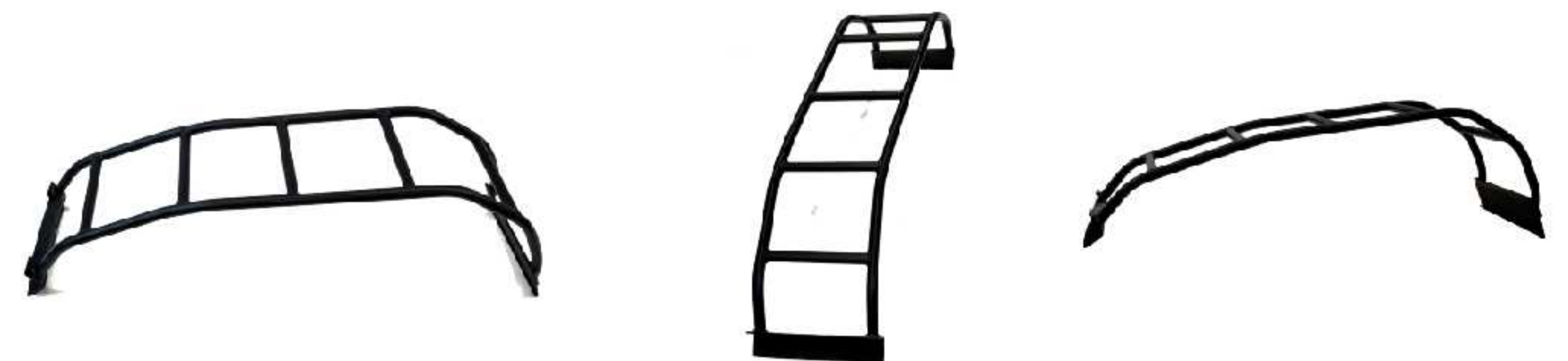
BAJARACK SHALL NOT BE LIABLE FOR ANY DIRECT, INDIRECT, CONSEQUENTIAL, INCIDENTAL, SPECIAL, EXEMPLARY, OR PUNITIVE DAMAGES OR FOR ANY OTHER DAMAGES OF ANY KIND OR NATURE [NO PERIOD.] (INCLUDING, BUT NOT LIMITED TO, LOST PROFITS, DOWN TIME OR LOSS OF USE) UNDER ANY LEGAL THEORY, EVEN IF BAJARACK WAS ADVISED OF THE POSSIBILITY OF SUCH DAMAGES. BAJARACK'S SOLE LIABILITY IS LIMITED TO THE REMEDY SET FORTH ABOVE.

BajaRack reserves the right to change Product design without notice.

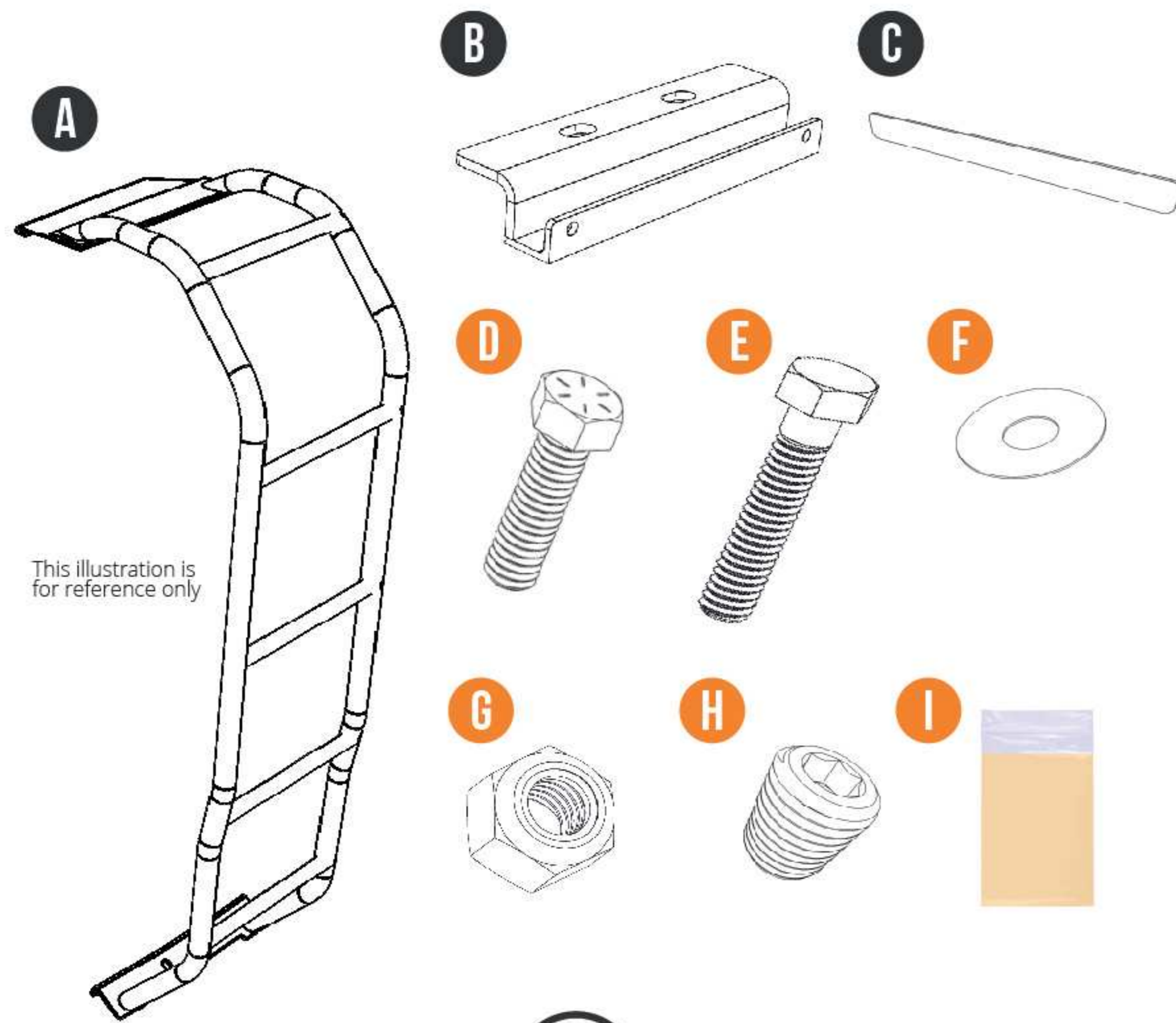


LADDER

4RUNNER GEN 5



RACK COMPONENTS



This illustration is for reference only

What's in the box

A) Ladder	(1x)
B) Bracket	(1x)
C) Aluminium plate	(1x)
D) Bolt 3/8" x 1"1/4	(2x)
E) Bolt 3/8" x 1"1/2	(1x)

F) Flat Washer 3/8"	(4x)
G) Nylon lock nut 3/8"	(2x)
H) Cup point screw 5/16"	(2x)
I) Grease	(1x)

Recommended Tools

- 9/16" wrench for installation
- 9/16" ratchet tool for support
- 5/32" allen wrench
- Tape measure

This accessory is preassembled

Tips and recommendations (please read)

- Cup point screw (G) and aluminium plate (C) are preassembled to ladder bracket (B).
- A person can stand on the ladder so it can be set in place and reach the bottom bracket

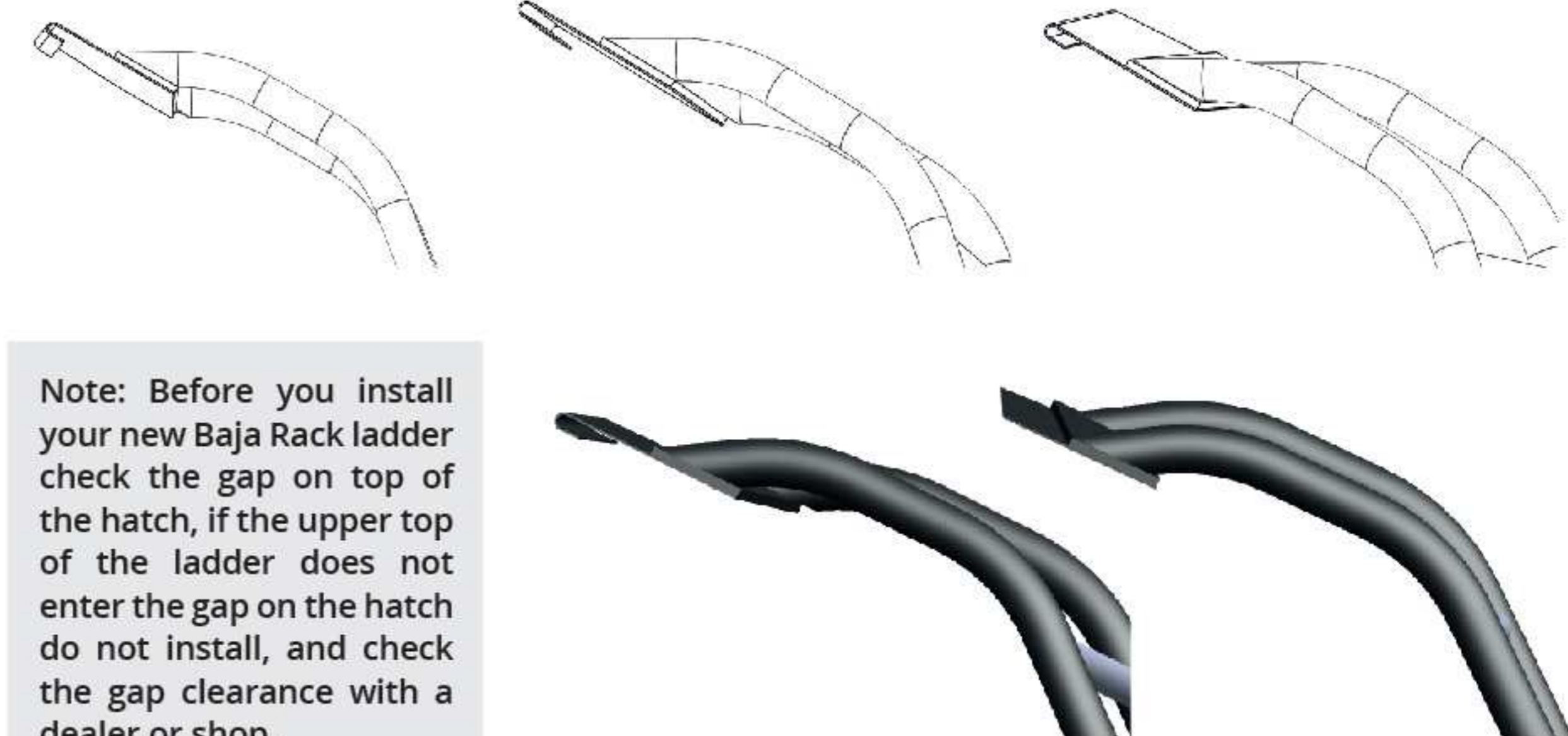
INSTALLATION STEPS

1 Take the ladder (A) and turn it upside-down so the top part points towards the roof of the vehicle (Fig 1) and the bottom points towards the sky. Insert the lip of the top plate in the gap between the roof of the vehicle and the rear door (door should be close). Once the plate is engage carefully spin the ladder down towards the bottom of the rear door as shown on Fig 2 & 3. After this step the ladder should look like Fig 4.



Fig. 1

Fig. 2



Note: Before you install your new Baja Rack ladder check the gap on top of the hatch, if the upper top of the ladder does not enter the gap on the hatch do not install, and check the gap clearance with a dealer or shop.



Fig. 4



Fig. 3

INSTALLATION STEPS

- 2** To position the ladder in the right place use a tape measure, the distance between the bottom edge of the rear door (driver side) and the bottom ladder bracket should be 2" 3/8 (Fig 5), the distancia for the top of the ladder is 2", this measure is between the top edge of the rear door (driver side) and the top ladder plate (Fig.6).



Fig. 5



Fig. 6



Fig. 7

- 3** Remove the plastic cover (Fig. 7) of the aluminum plate (C) and place it on the bracket as shown in Fig. 8. Open the rear door slightly so you can place bracket (B) under the door (Fig 9), check that face of the aluminium plate without plastic cover is touching the rear door (Fig.10)

Note: The bracket B comes pre-assembled with 2 cup point screws (H) and the aluminum plate (C), please loosen screws (H) before placing bracket (B) in position.



Fig. 8



Fig. 9



Fig. 10



Fig. 11

- 4** Add a small amount of the supplied grease (I) on bolts (D & E). Insert the bolt (E) with one washer (F) in one slot of the bottom of the ladder and bracket (B) Fig 11, once the bolt is thru the slot of the bottom ladder plate and bracket (B) take another washer (F) and one Nylon locknut (G) and hand tighten (you will need to apply pressure to the ladder downwards to be able to do this initial step, a friend could stand on a ladder to help you), tighten with a 9/16" wrench and ratchet Fig 12.



Fig. 12



Fig. 13



Fig. 14

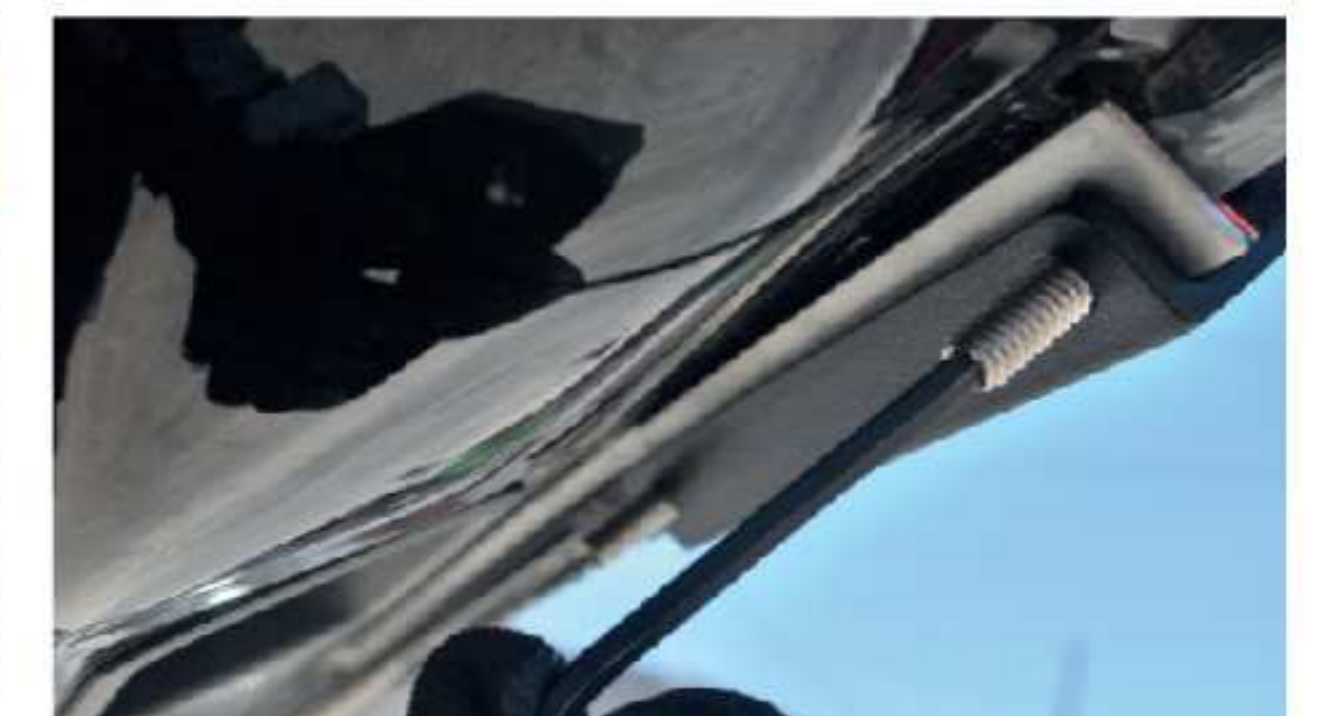


Fig. 15

- 5** Repeat step 4 to the other slot but now, you'll need use the bolt (D). After to insert the bolt (D), you'll need remove the bolt (E) and then, insert the other bolt (D) with washer (E) (use the washers and nylon locknut provided in step 4 for bolt (E) in this point) and below insert the washer (F) and nylon lock nut (G), see Fig 13 as reference. Once both bolts and nuts are in place tighten with a 9/16" wrench and ratchet Fig 14.



Fig. 16

- 6** Finally tighten both cup point screws (H) with a 5/32" allen wrench. As a final inspection point make sure the bottom of the ladder and the bottom bracket (B) look like Fig 15 & 16.



ENJOY
— YOUR NEW —
LADDER
ACCESSORY!



TECHNICAL SPECIFICATIONS

4RUNNER G5 LADDER

BR-TY4RG5-LADDER-0

Strong, steel ladder made specifically for your 5th Gen 4Runner



Material and Thickness: 1 Inch (25.4 mm) carbon steel tube and 1/8 Inch (3.175 mm), 3/16 Inch (4.7 mm) steel.

Finish: Epoxy primer (rust barrier) with black powder coating

Mounting Method: The Ladder install directly on the rear door. (No drilling required).