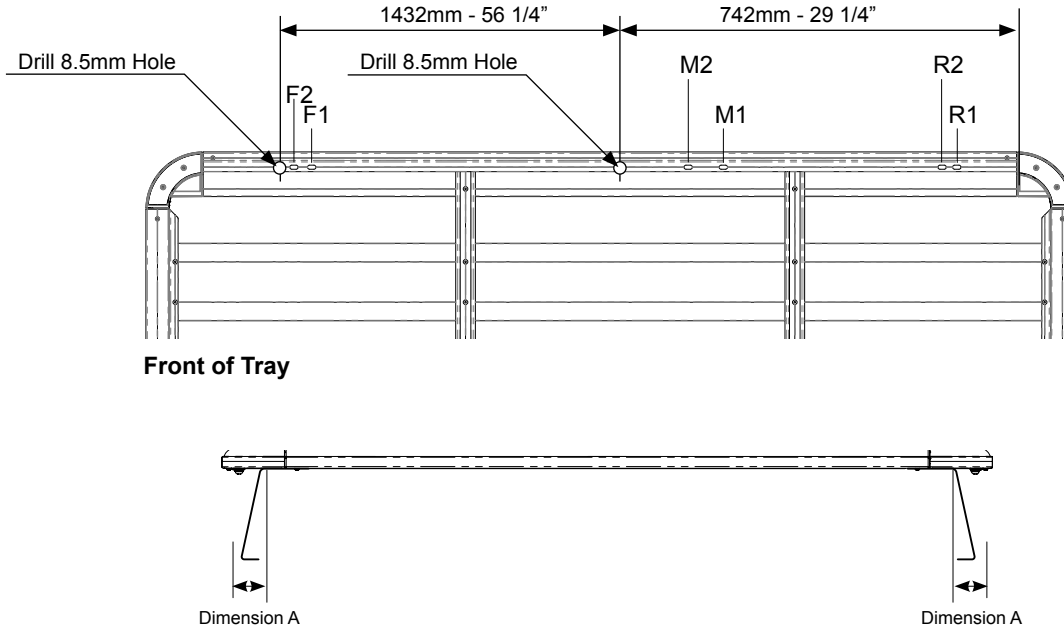




Fitting Chart - TOYOTA 4 Runner 4dr SUV with Roof Rails Removed

PIONEER 41102 (1928 x 1236mm)
PIONEER 42102B (1928 x 1236mm)
PIONEER 45102B (1928 x 1236mm)



Front Crossbar			Middle Crossbar			Rear Crossbar		
Front Slot	Dim. A	Leg Height Spacer	Middle Slot	Dim. A	Leg Height Spacer	Rear Slot	Dim. A	Leg Height Spacer
1432mm 56 3/8" from Rear	EQUAL		742mm 29 3/16" from Rear	EQUAL		R1	EQUAL	

Country	Vehicle	Running Date	Vehicle Load Rating (kg / lbs)	Fit Kit	Notes
USA & Canada	TOYOTA 4 Runner 4dr SUV with Roof Rails Removed	10 - on	100 / 220	1 x RT4B1	Pioneer tray covers the factory sunroof
South America	TOYOTA 4 Runner 4dr SUV with Roof Rails Removed				

Rhino-Rack
 3 Pike Street, Rydalmere,
 NSW 2116, Australia.
 (Ph) (02) 9638 4744
 (Fax) (02) 9638 4822

Document No: R1232
 Prepared By: Will Davis
 Authorised By: Chris Murty

Issue No: 1
 Issue Date: 17/01/2017

These instructions remain the property of Rhinorack Australia Pty Ltd and may not be used or changed for any other purpose than intended.